

LEAD-LINED

# PHANTOM CABINET

The Phantom Cabinet stores flood sources and phantoms on their ends. The interior is sectioned by an adjustable divider. The Phantom Cabinet cannot be ordered separately, it must be part of a multiple cabinet configuration.

## SPECIFICATIONS:

**Dimensions:** 8.2" w x 25.6" d x 34.2" h (21 x 65 x 86.9 cm)

**Lead Shielding:** .25" (.64 cm) thick

**Door:** Key-locked

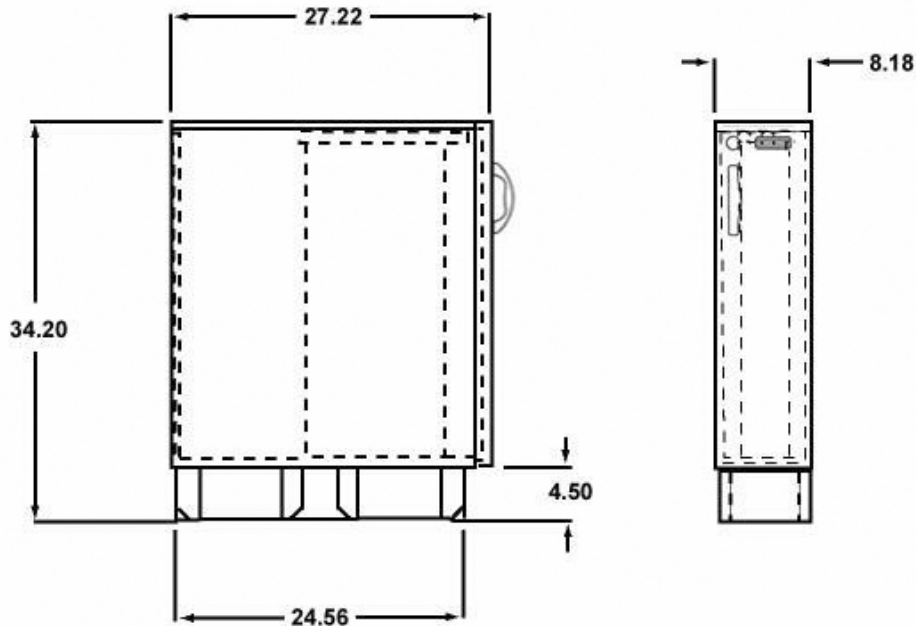
**Finish:** Durable powder-coat paint

**Weight:** 319 lb (145 kg)

**244-009** Cabinet, Phantom, .25" lead ..... \$5,400.00  
*Must be ordered as part of a multiple cabinet configuration.*



*The 244-009 Phantom Cabinet shown installed at left of a standard base cabinet.*



*Prices subject to change without notice.*

[www.jgravengaard.com](http://www.jgravengaard.com) 2007-10-12

**J. Gravengaard Corporation**

Medical Imaging Sales & Service

PO Box 20171 Portland, Oregon 97294 Nationwide (800)796-SCAN

Local (503)255-0535 Fax (503)255-7047