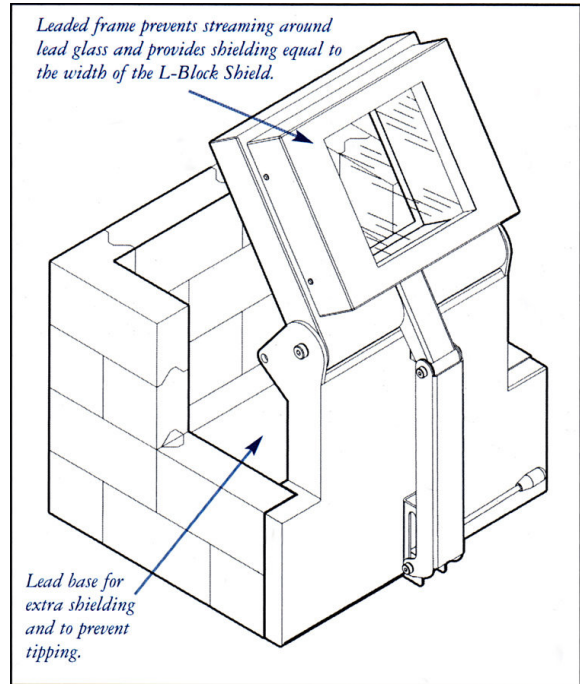


DELUXE L-BLOCK SHIELD



FEATURES:

- *Ideal for PET pharmacies*
- *2.4" thick lead shielding in front and in base*
- *8" x 8" x 4" easily adjustable lead glass window*
- *Optional Lead Brick Cave for complete lateral shielding*

The Deluxe L-Block Shield is designed for managing large quantities of high-energy radionuclides. The shield is constructed of 2.4" thickness lead encased in steel, and features a large 8" x 8" x 4" lead glass window. A convenient lever allows quick adjustment of window to optimal angle for any user and procedures.

The optional 042-417 Lead Brick Cave fits neatly into the sides of the vertical section to provide lateral shielding around the full perimeter of the L-Block's base.

The 042-414 Dose Drawing Station can be configured with the L-Block to create an integrated system for receiving radionuclides and drawing doses from vials. A special plate with a hex-shaped recess is mounted on the base to facilitate one-handed loading and unloading of dose pigs incorporating hex-shaped bottoms.

SPECIFICATIONS:

042-413 Deluxe L-Block Shield

Dimensions: 20" w x 17.88" depth x 28.75" h
(50.8 x 15.1 x 73 cm)

Lead Shielding: 2.4" thick (6 cm)

Lead Glass Window:

Dimensions: 8" w x 8" h x 4" thick
(20.3 x 20.3 x 10.2 cm)

Density: 5.2 g/cm³

Finish: Powder coat

Weight: 550 lb (250 kg)

042-417 Interlocking Lead Brick Cave

Dimensions: (I.D. working area with L-Block Shield) 15.25" w x 12.34" depth x 13.73" h
(38.13 x 30.85 x 34.33 cm)

Lead Shielding: 2.4" thick (5 cm)

Finish: Paint

Weight: 611 lb (278 kg)

042-407 Steel Table

Dimensions: 36.75" w x 24" depth x 36" h
(93.5 x 61 x 91.5 cm)

Shipping Weight: 195 lb (88 kg)

042-413 L-Block Shield, Deluxe, 2.4" lead \$5,895.00

Related:

042-417 Lead Brick Cave, 3-wall, 2.4" lead..... \$2,870.00
Fits 042-413 L-Block Shield.

042-407 Table, Steel..... 1,295.00

Biodex L-Block Shields incorporate a hex-shaped plate to facilitate one-handed loading and unloading of Biodex PET Pigs.

Prices subject to change without notice.

www.jgravengaard.com 2007-07-09

J. Gravengaard Corporation

Medical Imaging Sales & Service

PO Box 20171 Portland, Oregon 97294 Nationwide (800)796-SCAN Local (503)255-0535 Fax (503)255-7047